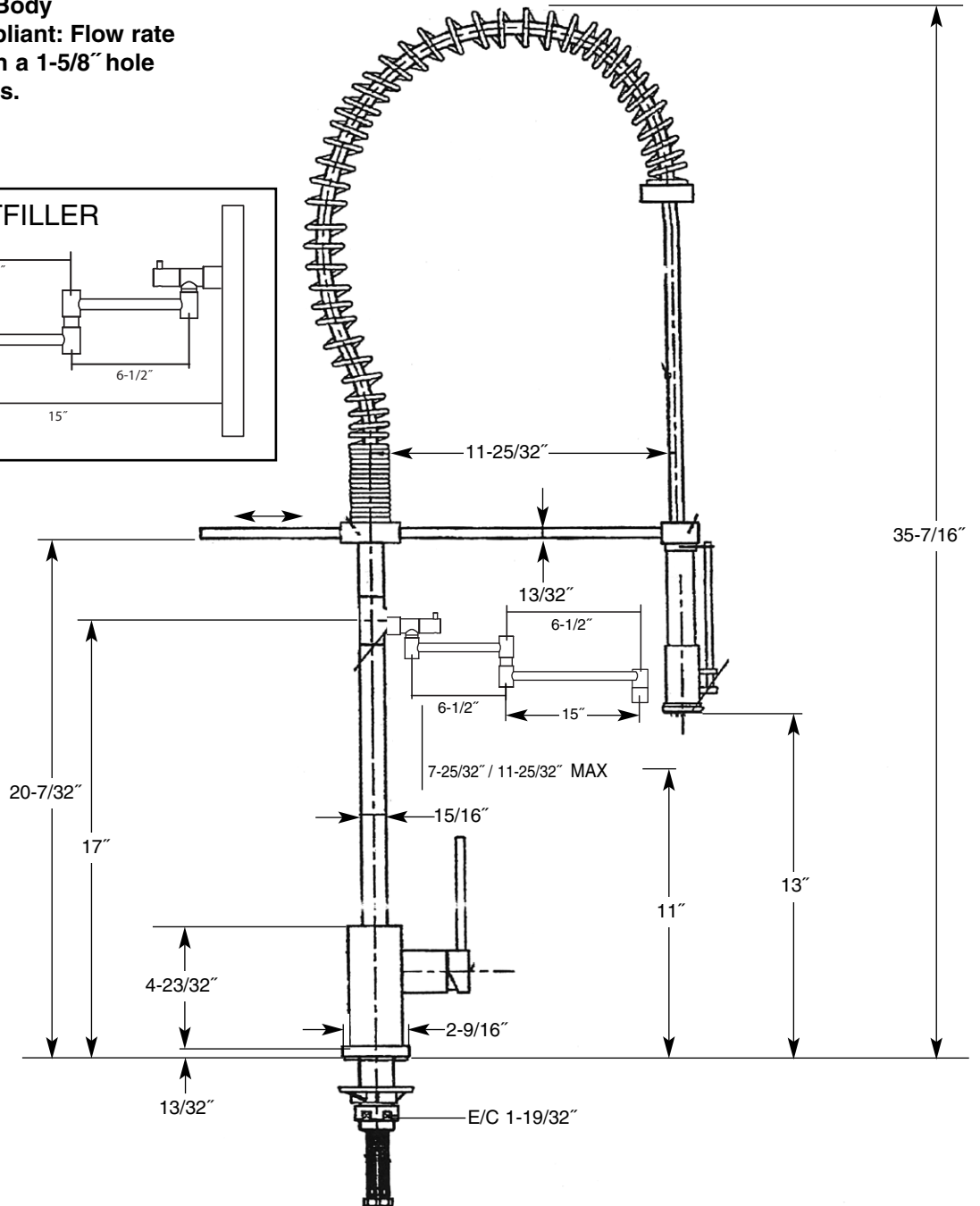
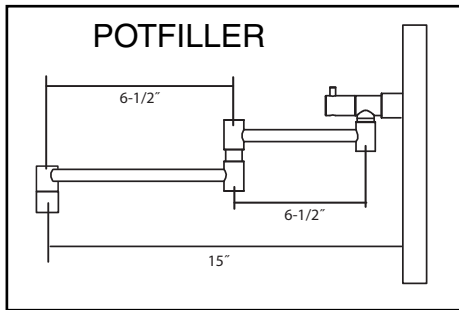


PROJECT _____
 ARCHITECT _____
 BUILDER _____
 CONTRACTOR _____
 QUANTITY _____

- Solid Brass Body
- IAMPO Compliant: Flow rate
- Installation in a 1-5/8" hole
- Weight: 21 lbs.



Polished Chrome Satin Nickel / Stainless Steel



Item # 1800